



 **MS** major
science

Innovative Life Sciences Tools

2021-2022 Catalogue

version 1.0

Blotting



Complete Mini Electro Blot System

Mini Electro Blot System

CE

Complete Mini Sub Blot System

MEBM10 / MSB10
MV-10CBS

Electro Blot Systems are primarily designed for wet electrophoresis of proteins, and offer a combination of increased capacity with economical features. Electro Blot Systems have increased capacity over standard systems. Up to five gel blot cassettes may be utilized at any time for Electro Blot Mini. This is especially useful in high throughput laboratories. A uniform electric field is provided by a high intensity coiled electrode and ensures uniform transfer across the blot surface. The cassette's open architecture that ensures the maximum blot area allows direct transfer of current. Its rigid construction that ensures contact between the gel and membrane is retained throughout the blot and an even pressure is maintained. These units are compatible with magnetic stirrers to aid heat dispersal and prevent pH drifts in the buffer due to incomplete buffer mixing. Each unit includes a cooling pack to further enhance transfer efficiency by removing excess heat. This also saves buffer for added economy.



MEBM10

The Complete Electrophoresis Systems include both modules for gel electrophoresis, electroblotting and accessories, to provide a complete Mini gel casting, running and electroblotting system. The electroblotting module includes four inter-locking cassettes and sixteen fiber pads. A high intensity current is generated by coiled platinum electrodes. These features, in conjunction with the advanced cooling system allow for rapid electroblotting in as little as one hour.

Complete Mini Electro & Blot System

CE

MV-10CBS

For MEBM series Features

- Ideal for wet electroblotting of proteins – Western Blotting
- Hinged cassettes for added convenience
- Accommodates gel thickness from 0.25 to 3mm

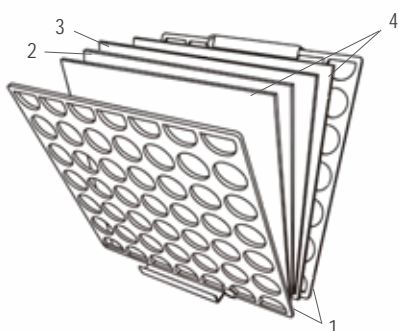
For MV-CBS series Features

- Versatile: Interchangeable modules for slab gel and Electroblotting using a single universal buffer tank
- Hinged cassettes
- High intensity electrodes
- blot capacity
- Rapid set-up cooling

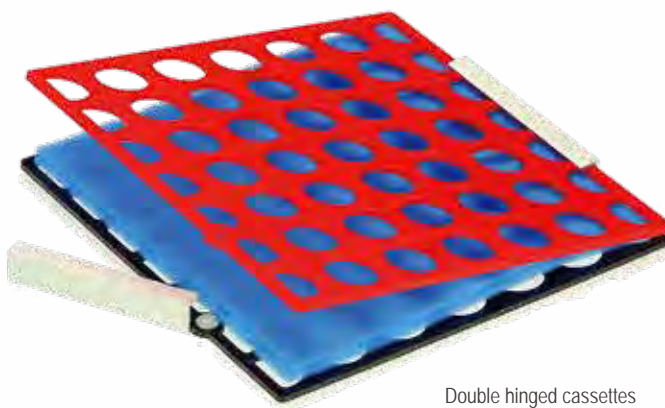


Specification

Cat. No.	MEBM10
Dimension (WxLxH)	7.5"x5.1"x7.5" (190x130x190mm)
Gel Dimension (WxL)	3.9"x3.9" (100x100mm)
Maximum Sample	5 Blots, 100x100mm
Accomodate Gel Thickness	0.25 - 3mm
Buffer Volume	1000 - 1500ml
Ice Cooling Pack	Yes
Construction	Durable, leak proof environment for complete safety and long life
Electrical Safety	Lid can only be fastened in one way
	On removal, power is disconnected from buffer chamber
Cassette Type	Hinged cassette



1. Cassette Ends
2. Gel
3. Membrane
4. Blue Foam Pads & Papers



Double hinged cassettes
for added convenience

Ordering Information

Cat. No.	Product Description
MEBM10	Electro Blot Mini, 100x100mm system for 5 cassettes, including 1 x tank and 1 x lid, 5 x cassettes, cooling pack and 16 extra fiber pads
MSB10	Sub Blot Mini, 100x100mm system for 4 cassettes, including 1 x tank and 1 x lid, 4 x cassettes, cooling pack and 16 extra fiber pads
MSB10C	Blot Mini cassette
MSB10F	Fiber pads for Blot Mini - pack of 6
MV10BI	Blot Mini Insert - including 4 cassettes and 16 fibre pads

MV-10CBS	Complete system for Mini Vertical Electrophoresis & Blotting, comprising:
	1x Mini Vertical unit, including:
	2x2mm thick notched glass plates
	2x2mm thick plain plates with 1mm thick bounded spacers, 1 x dummy plate
	2 x combs(1mm thick,12 samples), 1 x casting base, silicone mat, cooling pack
	1 x Electroblotting module, including:
1 x Internal electroblotting module	
4 x Compression cassette for gel size up to 100x100mm, 16 x fiber pads	

Semi Dry Mini / Semi Dry Midi

MSD series

Semi Dry Mini offers rapid transfer times for DNA, RNA and protein blotting, typically 15 to 30 minutes. It can be used for all types of blotting, including Western, Southern and Northern blots. It features an uncomplicated buffer and set up procedure and is compatible with gel thickness from 0.25 up to 10mm. The unit is compatible with its respective vertical electrophoresis system. It only requires very low buffer volume, typically only a few milliliters of buffer per transfer. A screw down lid secures the blot sandwich and allows complete control of pressure ensuring even transfer. The electrodes, comprising of a platinum coated anode and stainless steel cathode, will exhibit practically no corrosion and provides many years of trouble free use. Uniform heat dispersion across the blot sandwich ensures stable transfer times and prevents heat induced sample loss or transfer distortions. It also allows viewing of the blot sandwich to ensure correct positioning and transfer is occurring correctly. Electrode plates are fully separated to prevent arcing or damage.

Features

- Low buffer consumption
- Rapid transfer time
- Western, Southern and Northern blots
- Screw down lid – Gels from 0.25 up to 10mm thick
- Uniform heat dispersion
- Long life electrodes



CE

MSD series



Semi Dry Mini and Semi Dry Midi

Specification

Cat. No.	MSD10	MSD20
Dimension (WxLxH)	Approx. 6.3"x6.3"x2.8" (160x160x70mm)	Approx. 10.2"x10.2"x2.8" (260x260x70mm)
Gel Dimension (WxL)	Approx. 3.9"x3.9" (100x100mm)	Approx. 7.9"x7.9" (200x200mm)
Maximum Sample	1 Blot, 80x85mm	1 Blot, 160x175mm 2 Blots, 160x85mm 4 Blots, 80x85mm
Buffer Volume	5ml	20ml
Accomodate Gel Thickness	0.25-10mm	
Economic Transfer	Yes	
Construction	Durable, leak proof environment for complete safety and long life	

Ordering Information

Cat. No.	Product Description
MSD10	Semi Dry Mini, 100x100mm System
MSD20	Semi Dry Midi, 200x200mm System



US Office

19959 Sea Gull Way
Saratoga, CA 95070
U.S.A.
T/ +1-408-366-9866
F/ +1-408-446-1107

Taiwan

Head Office:

No. 156, Sec. 1, Guoji Rd., Taoyuan Dist., Taoyuan
City 33061, Taiwan
T/+886-3-3762802
F/+886-3-3761310

Factory:

No.19, Ln. 207, Huakang St. Bade Dist., Taoyuan
City 33464 Taiwan
T/ +886-3-3623319
F/ +886-3-3623133



Shanghai Office

Room 612, International business exhibition center,
9300 Hunan Road, Pudong, Shanghai, China
National toll-free No.:400-823-9177
T/ +86-21-50795277
F/ +86-21-50795277

India Office

D. No. 12-13-99, Satguru Apts. Extn.
Street. No. 3, Lane No.1, Tarnaka
Secunderabad – 500 017. India
T/ +91-40-27001515
T/ +91-40-27001586



 **major
science**

www.majorsci.com
info@majorsci.com